

Backstop Assemblies



- » Easy mount for WorldWide shaft mount reducers
- » Smooth forward operation of conveyor with no backslip
- » WSMR backstops are also compatible with the Eliminator SCSMR series.

Box Size	Model Number (1)	Model Number (2)
2	SMR2BSK	WSMR2BSK
3	SMR3BSK	WSMR3BSK
4	SMR4BSK	WSMR4BSK
5	SMR5BSK	WSMR5BSK
6	SMR6/7BSK	WSMR6BSK
7	SMR6/7BSK	WSMR7BSK
8	SMR8/9BSK	WSMR8BSK
9	SMR8/9BSK	WSMR9BSK
10	SMR10/12BSK	SCSMR10BSK
12	SMR10/12BSK	--

(1) Use SMR#BSK model number backstop assemblies for WorldWide Electric Original series shaft mount reducers.

(2) Use WSMR#BSK model number backstop assemblies for WorldWide Electric's Ultimate (WSMR) or Eliminator (SCSMR) series shaft mount reducers. The SCSMR10BSK is compatible with the SCSMR10 only.

Belt Guards



- » Hinged design for easy access to belts and sheaves
- » Slotted metal panel construction
- » Assembles to reducer and motor mount holes
- » Easy mount for WorldWide shaft mount reducers

Box Size	Model Number
2	BG2
3	BG3
4	BG4
5	BG5
6	BG6
7	BG7
8	BG8
9	BG9
10	BG10
12	BG12

* WWE belt guards are painted orange. Yellow belt guards are available by adding the suffix "Y" to the model number (i.e. BG2Y is a box size 2 belt guard painted yellow).

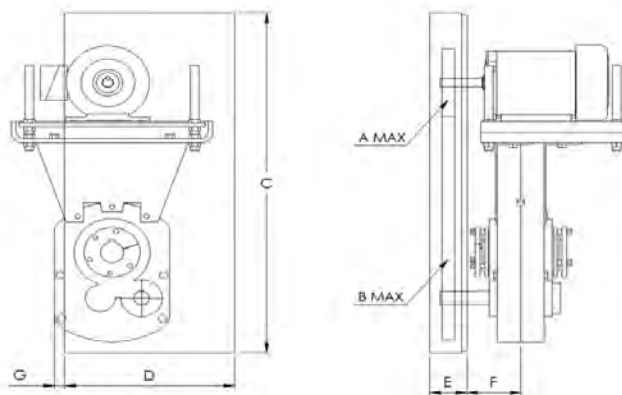
Motor Mounts



- » Heavy gauge steel construction for NEMA frame motors
- » Adjustable top plate for belt tensioning

Box Size	NEMA Frame	Model Number
2	56-215T	MM2
3	56-215T	MM3A
4	143T-286T	MM4
5	143T-286T	MM5A
6	143T-326T	MM6A
7	143T-365T	MM7
8	213T-365T	MM8A
9	284T-365T	MM9
9	404T-445T	MM9L
10	254T-365T	MM10
10	404T-445T	MM10L
12	286T-445T	MM12

Maximum Allowable Sheave Sizes for Belt Guards



Reducer Size	Belt Guard Size	Motor Mount Part Number	NEMA Motor Frame	Center Distances		A	B	C	D	E	F	G
				Min	Max							
SMR2, WSMR2, SCSMR2	BG2	MM2	56T-215T	18.7	23.9	6	12	34	15	4	3.5	---
SMR3, WSMR3, SCSMR3	BG3	MM3A	56T-215T	20.2	26.3	7	14	37	17	4	3.94	---
SMR4, WSMR4, SCSMR4	BG4	MM4	143T-286T	21.2	28.7	7	15	43	18	4.5	5.19	---
SMR5, WSMR5, SCSMR5	BG5	MM5A	143T-286T	22.7	31.1	7	15	45	18	4.25	5.13	0.625
SMR6, WSMR6, SCSMR6	BG6	MM6A	143T-326T	25.9	34.2	8	18	50	20	6	6.06	1.63
SMR7, WSMR7, SCSMR7	BG7	MM7	143T-365T	30.6	40.0	10	20	56	23	6	6.88	0.5
SMR8, WSMR8, SCSMR8	BG8	MM8A	213T-365T	35.5	44.2	12	25	63	27	6.5	7.46	0.156
SMR9, WSMR9, SCSMR9	BG9	MM9	284T-365T	38.0	46.7	12	25	66	30	9	7.63	2.91
SMR10, SCSMR10	BG10	MM10	284T-365T	42.6	50.2	12	25	72.5	30	9	8.25	4.31
SMR12	BG12	MM12	320T-445T	58.1	66.6	15	30	91	34	9.5	8.13	---